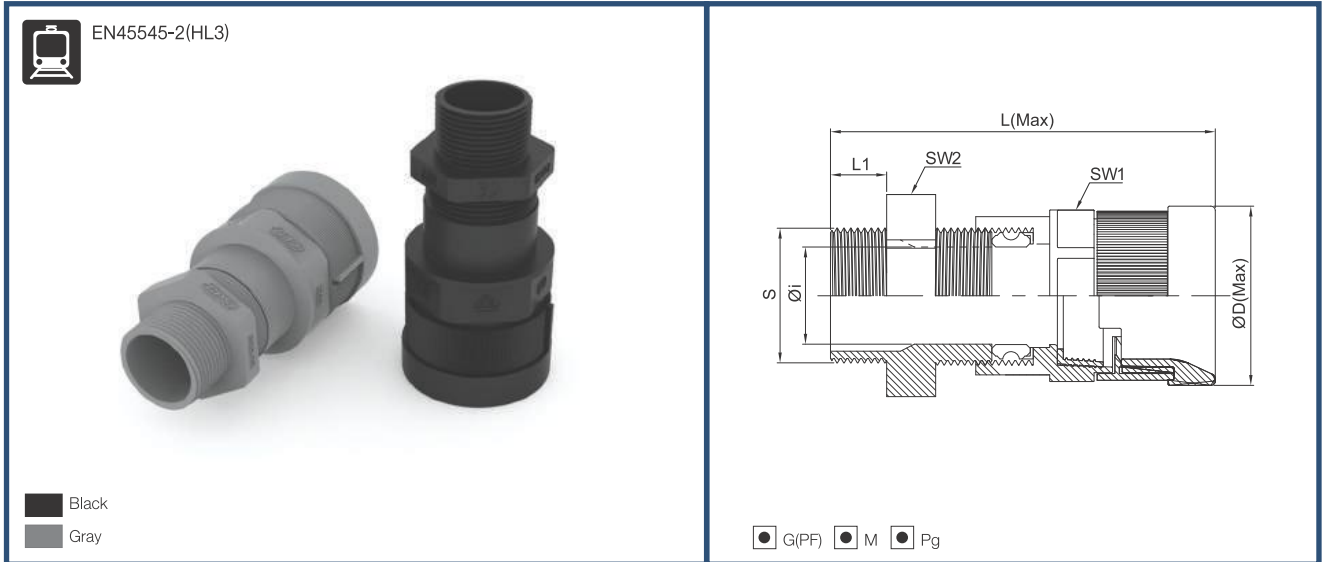


PNCCL IP68



- Material : High Quality Polyamide 6
- Degrees of Protection : IP 68 (EN 60529)
- The max, Instantaneous Temperature : -40°C to +105°C
- Short Term : up to +150° C
- Self-Extinguishing : UL94-HB / Free of Halogen Phosphorous and cadmium
- Color : Black & Gray
- Application : Machine tool, Shipbuilding, Tramway, Industrial / Automatic Machinery, Printing Machine etc. Joint box with connector, Connector to avoid the cutoff of the cable in the machine.

» Product size



PF Thread (JIS B0202)

Black	Gray	Thread	Tube Size	Øi(Min)	Øi(Max)	S	L1	L	ØD	SW1	SW2
PNCCL-G10B	PNCCL-G10G	G1/2"	10	3,5	6,5	20,9	9,0	68,2	25,0	19,7	20,3
PNCCL-G12B	PNCCL-G12G	G1/2"	12	4,0	8,0	20,9	6,0	67,1	27,6	22,8	22,7
PNCCL-G16B	PNCCL-G16G	G1/2"	16	7,0	12,3	20,9	6,0	71,3	33,0	28,0	27,7

(Dimensions in mm)



Ordering No.



Metric Thread (EN 60423)

(Dimensions in mm)

Black	Gray	Thread	Tube Size	Øi (Min)	Øi (Max)	S	L1	L	ØD	SW1	SW2
PNCCL-M10B	PNCCL-M10G	M12 X 1,5	10	3,5	6,5	12,0	9,0	68,2	25,0	19,7	20,3
PNCCL-M120B	PNCCL-M120G	M16 X 1,5	10	3,5	6,5	16,0	9,0	68,2	25,0	19,7	20,3
PNCCL-M102B	PNCCL-M102G	M12 X 1,5	12	4,0	7,1	12,0	9,0	67,1	27,6	22,8	22,7
PNCCL-M12B	PNCCL-M12G	M16 X 1,5	12	4,0	8,0	16,0	9,0	67,1	27,6	22,8	22,7
PNCCL-M162B	PNCCL-M162G	M20 X 1,5	12	4,0	8,0	20,0	9,0	67,1	27,6	22,8	22,7
PNCCL-M126B	PNCCL-M126G	M16 X 1,5	16	7,0	10,9	16,0	6,0	71,3	33,0	28,0	27,7
PNCCL-M16B	PNCCL-M16G	M20 X 1,5	16	7,0	12,3	20,0	9,0	71,3	33,0	28,0	27,7
PNCCL-M216B	PNCCL-M216G	M25 X 1,5	16	12,0	14,5	25,0	6,0	71,3	33,0	28,0	36,9

Pg Thread (DIN 40430)

Black	Gray	Thread	Tube Size	Øi (Min)	Øi (Max)	S	L1	L	ØD	SW1	SW2
PNCCL-P09B	PNCCL-P09G	Pg09	10	6,5	6,5	15,2	9,0	68,2	25,0	19,7	20,3
PNCCL-P092B	PNCCL-P092G	Pg09	12	4,0	8,0	15,2	9,0	67,1	27,6	22,8	22,7
PNCCL-P11B	PNCCL-P11G	Pg11	12	4,0	8,0	18,6	9,0	67,1	27,6	22,8	22,7
PNCCL-P132B	PNCCL-P132G	Pg13,5	12	4,0	8,0	20,4	9,0	67,1	27,6	22,8	22,7
PNCCL-P162B	PNCCL-P162G	Pg16	12	4,0	8,0	22,5	9,0	67,1	27,6	22,8	22,7
PNCCL-P116B	PNCCL-P116G	Pg11	16	7,0	12,3	18,6	9,0	71,3	33,0	28,0	27,7
PNCCL-P13B	PNCCL-P13G	Pg13,5	16	7,0	12,3	20,4	9,0	71,3	33,0	28,0	27,7
PNCCL-P16B	PNCCL-P16G	Pg16	16	7,0	12,3	22,5	9,0	71,3	33,0	28,0	27,7

